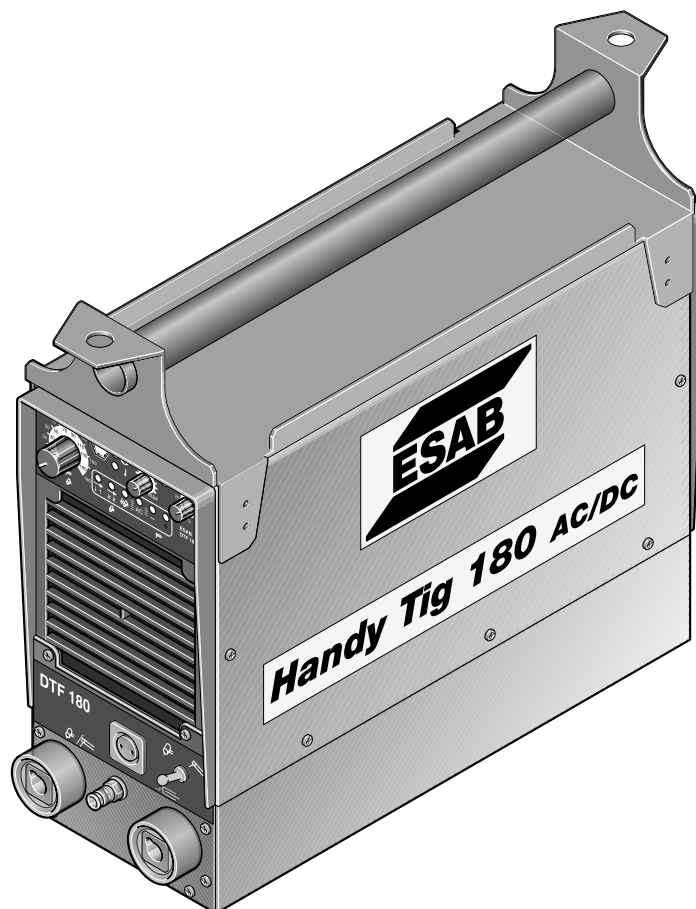




Handy Tig 180 AC/DC

DTF 180



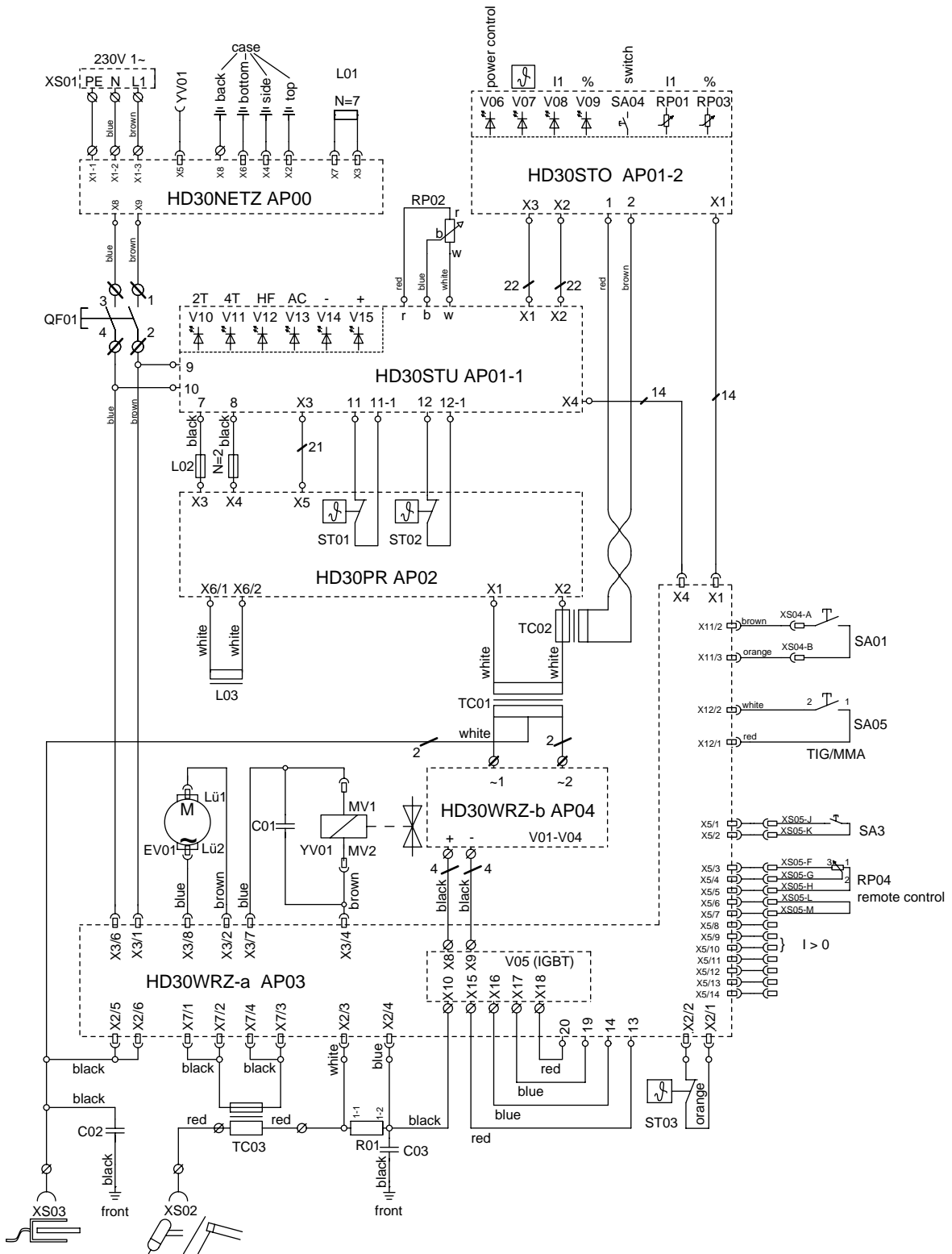
**Bruksanvisning
Bruksanvisning
Bruksanvisning
Käyttöohjeet
Instruction manual
Betriebsanweisung**

**Manual d'instructions
Gebruiksaanwijzing
Instrucciones de uso
Istruzioni per l'uso
Manual de instruções
Οδηγίες χρήσεως**

SVENSKA	3
DANSK	13
NORSK	23
SUOMI	33
ENGLISH	43
DEUTSCH	53
FRANÇAIS	63
NEDERLANDS	73
ESPAÑOL	83
ITALIANO	93
PORTUGUÊS	103
ΕΛΛΗΝΙΚΑ	113
Schema - Skema - Skjema - Johdotuskaavio - Diagram - Schaltplan - Schéma - Schema - Esquema - Schema - Esquema - Σχήμα σύνδεσης	123
Reservdelsförteckning -Reservdelsfortegnelse -Reservdelsliste - Varaosaluettelo - Spare parts list - Ersatzteilliste - Liste de pièces détachées - Reserveonderdelenlijst - Lista de repuestos - Elenco ricambi - Lista de peças sobressalentes - Πίνακας ανταλλακτικών μερών	124

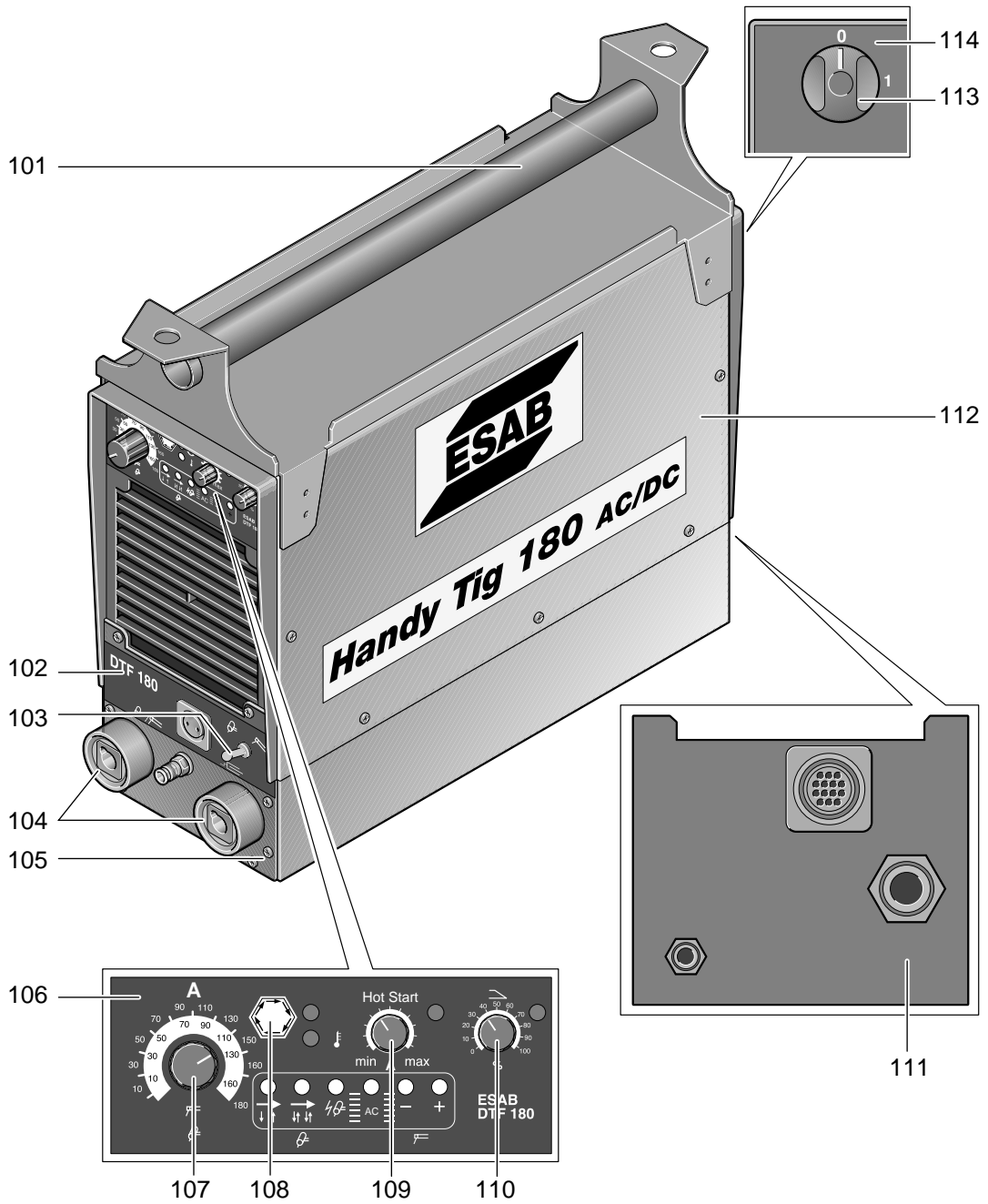
Rätt till ändring av specifikationer utan avisering förbehålles.
Ret til ændring af specifikation uden avisering forbeholdes.
Rett til å endre spesifikasjoner uten varsel forbeholdes.
Oikeudet muutoksiin pidätetään.
Rights reserved to alter specifications without notice.
Änderungen vorbehalten.
Sous réserve de modifications sans avis préalable.
Recht op wijzigingen zonder voorafgaande mededeling voorbehouden.
Reservado el derecho de cambiar las especificaciones sin previo aviso.
Specifiche senza preavviso.
Reservamo-nos o direito de alterar as especificações sem aviso prévio.
Διατηρείται το δικαίωμα τροποποίησης προδιαγραφών χωρίς προειδοποίηση.

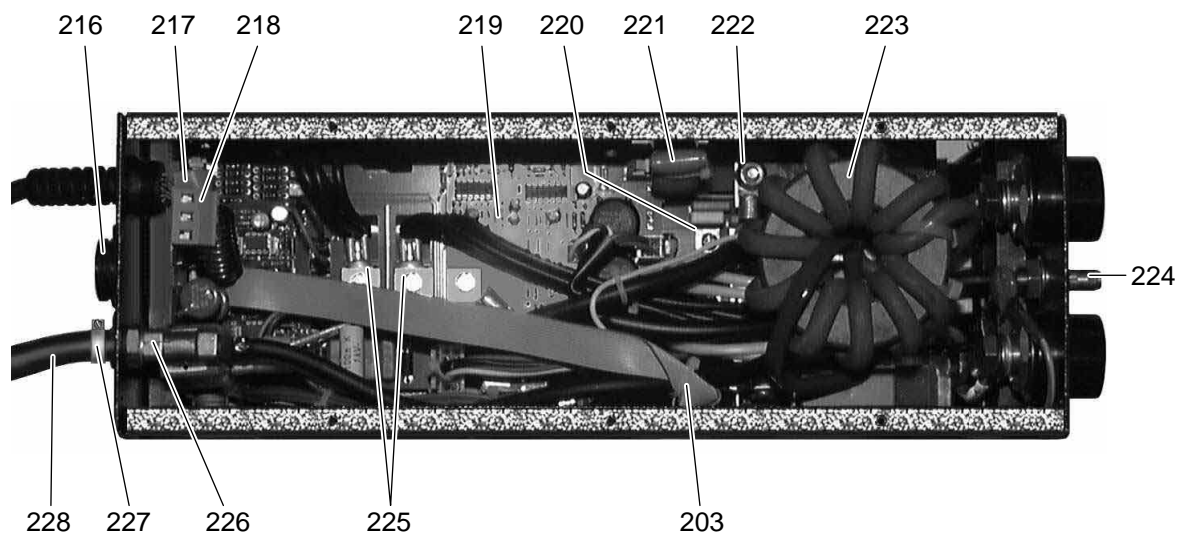
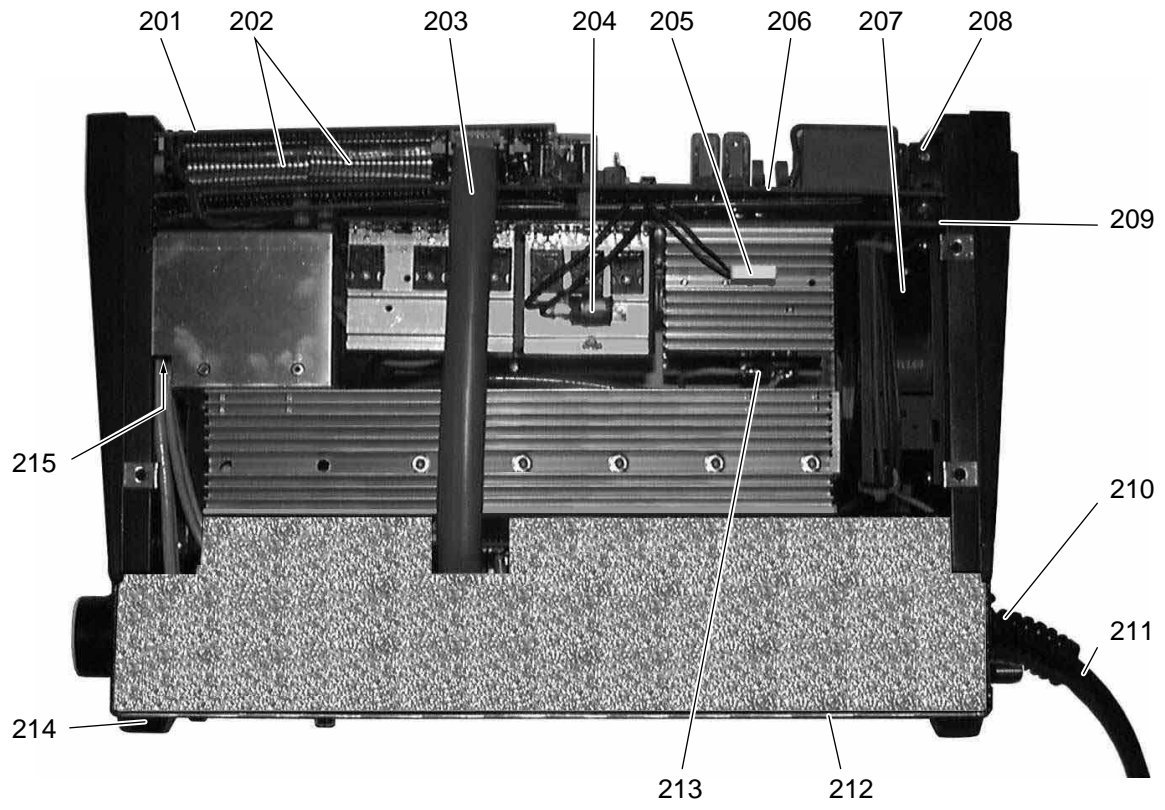
Schema - Skema - Skjema - Johdotuskaavio - Diagram - Schaltplan - Schéma - Schema - Esquema - Schema - Esquema - Σχήμα σύνδεσης



Reservdelsförteckning -Reservedelsfortegnelse -Reservedelsliste - Varaosa-luettelo - Spare parts list - Ersatzteilliste - Liste de pièces détachées - Reserveonderdelenlijst - Lista de repuestos - Elenco ricambi - Lista de peças sobressalentes - Πίνακας ανταλλακτικών μερών

Item	Qty	Ord. No.	Denomination.	c
101	1	0457 377 013	Handle, DTF180	
102	1	0457 377 020	Front lower foil, ESAB DTF 180	
103	1	0457 377 047	Selector switch, TIG / MMA	SA05
104	2	0457 377 066	Socket for TIG burner/workpiece cable	XS02, XS03
105	1	0457 377 021	Front sheet metal, DTF 180	
106	1	0457 377 018	Front upper foil, DTF 180 ESAB	
107	1	0457 377 036	Knob, 16mm	
107	1	0457 377 037	Cover for knob, 16mm	
107	1	0457 377 038	Cover for knob, 16mm	
107	1	0457 377 070	Potentiometer, 10K, 300°, Linear	RP02
108	1	0457 377 075	Push button for operating mode	SA04
109/110	2	0457 377 025	Spacer	
109/110	2	0457 377 034	Knob, 13mm	
109/110	2	0457 377 035	Cover for knob, 13mm	
109/110	2	0457 377 069	Plug-in axle	
111	1	0457 377 011	Rear sheet metal, DTF 180	
112	1	0457 377 012	Cover, DTF180	
113	1	0457 377 046	Switch	QF01
114	1	0457 377 019	Rear foil, DTF 180 ESAB	
201	1		Control, HD30 STO	AP01-2
202	2		Flat cable, 30mm	AP01-1 X1, AP01-1 X2
203	1		Flat cable, 14 conductor, 500mm	AP04 / X1
204	1	0457 377 062	Thermo-switch, opening	ST02
205	1	0457 377 063	Thermo-switch, opening	ST03
206	1		Control, HD30 STU	AP01-1
207	1	0457 377 064	Ventilator, 230V	EV01
209	1		Control, HD30 PR	AP02
210	1	0457 377 026	Strain relief / kink protection	
210	1	0457 377 027	Nut strain relief	
211	1	0457 377 055	Mains cable, 3x1.5	XS01
212	1	0457 377 010	Bottom sheet metal	
213	1		Choke	L03
214	4	0457 377 016	Rubber foot	
215	1		Transformer	TC01
216	1	0457 377 052	Remote regulator socket, Burndy, complete	XS05
217	1		Interference suppression choke with protective conductor	L01
218	1		E-Assembly, HD30 power filter	AP00
219	1		Control, HD30 WRZ	AP03
220	4		Rectifier diode	V01...V04
221	1		Flat cable, 14 conductor, 360 mm	AP04 / X4
222	1	0457 377 060	Shunt	R01
223	1	0457 377 065	HF Choke	TC03
225	1	0457 377 039	Gas connection nipple	
225	1		Inverter rectifier - IGBT	V05
226	1	0457 377 061	Solenoid valve, 230V AC	YV01
227	1	0457 377 030	Hose clamp	
228	1	0457 377 028	Gas hose, 1.8 m, R1/4" i	
-	1	0457 377 049	Burner button, DTF 180 ESAB, complete	SA01
-	1		Flat cable, 80 mm	AP01-1 X3
-	1	0457 377 067	Potentiometer, 10K	RP01
-	1	0457 377 068	Potentiometer, 50K	RP03
-	2		Interference suppression choke for exterior conductor	L02
-	1		Current converter	TC02
-	1	0457 377 082	Thermo-switch 80° / opening	ST01
-	1	0457 377 001	Operator handbook, DTF 180	





ESAB subsidiaries and representative offices

Europe

AUSTRIA

ESAB Ges.m.b.H
Vienna-Liesing
Tel: +43 1 888 25 11
Fax: +43 1 888 25 11 85

BELGIUM

S.A. ESAB N.V.
Brussels
Tel: +32 2 745 11 00
Fax: +32 2 726 80 05

THE CZECH REPUBLIC

ESAB VAMBERK s.r.o.
Prague
Tel: +420 2 819 40 885
Fax: +420 2 819 40 120

DENMARK

Aktieselskabet ESAB
Copenhagen-Valby
Tel: +45 36 30 01 11
Fax: +45 36 30 40 03

FINLAND

ESAB Oy
Helsinki
Tel: +358 9 547 761
Fax: +358 9 547 77 71

FRANCE

ESAB France S.A.
Cergy Pontoise
Tel: +33 1 30 75 55 00
Fax: +33 1 30 75 55 24

GERMANY

ESAB GmbH
Solingen
Tel: +49 212 298 0
Fax: +49 212 298 204

GREAT BRITAIN

ESAB Group (UK) Ltd
Waltham Cross
Tel: +44 1992 76 85 15
Fax: +44 1992 71 58 03

ESAB Automation Ltd
Andover
Tel: +44 1264 33 22 33
Fax: +44 1264 33 20 74

HUNGARY

ESAB Kft
Budapest
Tel: +36 1 20 44 182
Fax: +36 1 20 44 186

ITALY

ESAB Saldatura S.p.A.
Mesero (Mi)
Tel: +39 02 97 96 81
Fax: +39 02 97 28 91 81

THE NETHERLANDS

ESAB Nederland B.V.
Utrecht
Tel: +31 30 248 59 22
Fax: +31 30 248 52 60

NORWAY

AS ESAB
Larvik
Tel: +47 33 12 10 00
Fax: +47 33 11 52 03

POLAND

ESAB Sp.z.o.o
Warszaw
Tel: +48 22 813 99 63
Fax: +48 22 813 98 81

PORTUGAL

ESAB Lda
Lisbon
Tel: +351 1 837 1527
Fax: +351 1 859 1277

SLOVAKIA

ESAB Slovakia s.r.o.
Bratislava
Tel: +421 7 44 88 24 26
Fax: +421 7 44 88 87 41

SPAIN

ESAB Ibérica S.A.
Alcobendas (Madrid)
Tel: +34 91 623 11 00
Fax: +34 91 661 51 83

SWEDEN

ESAB Sverige AB
Gothenburg
Tel: +46 31 50 95 00
Fax: +46 31 50 92 22

ESAB International AB
Gothenburg
Tel: +46 31 50 90 00
Fax: +46 31 50 93 60

SWITZERLAND

ESAB AG
Dietikon
Tel: +41 1 741 25 25
Fax: +41 1 740 30 55

North and South America

ARGENTINA

CONARCO
Buenos Aires
Tel: +54 11 4 753 4039
Fax: +54 11 4 753 6313

BRAZIL

ESAB S.A.
Contagem-MG
Tel: +55 31 333 43 33
Fax: +55 31 361 31 51

CANADA

ESAB Group Canada Inc.
Mississauga, Ontario
Tel: +1 905 670 02 20
Fax: +1 905 670 48 79

MEXICO

ESAB Mexico S.A.
Monterrey
Tel: +52 8 350 5959
Fax: +52 8 350 7554

USA

ESAB Welding & Cutting Products
Florence, SC
Tel: +1 843 669 44 11
Fax: +1 843 664 44 58

Asia/Pacific

AUSTRALIA

ESAB Australia Pty Ltd
Ermington
Tel: +61 2 9647 1232
Fax: +61 2 9748 1685

CHINA

Shanghai ESAB A/P
Shanghai
Tel: +86 21 6539 7124
Fax: +86 21 6543 6622

INDIA

ESAB India Ltd
Calcutta
Tel: +91 33 478 45 17
Fax: +91 33 468 18 80

INDONESIA

P.T. Esabindo Pratama
Jakarta
Tel: +62 21 460 01 88
Fax: +62 21 461 29 29

MALAYSIA

ESAB (Malaysia) Snd Bhd
Selangor
Tel: +60 3 703 36 15
Fax: +60 3 703 35 52

SINGAPORE

ESAB Singapore Pte Ltd
Singapore
Tel: +65 861 43 22
Fax: +65 861 31 95

ESAB Asia/Pacific Pte Ltd
Singapore
Tel: +65 861 74 42
Fax: +65 863 08 39

SOUTH KOREA

ESAB SeAH Corporation
Kyung-Nam
Tel: +82 551 289 81 11
Fax: +82 551 289 88 63

THAILAND

ESAB (Thailand) Ltd
Samutprakarn
Tel: +66 2 393 60 62
Fax: +66 2 748 71 11

UNITED ARAB EMIRATES

ESAB Middle East
Dubai
Tel: +971 4 338 88 29
Fax: +971 4 338 87 29

Representative offices

BULGARIA

ESAB Representative Office
Sofia
Tel/Fax: +359 2 974 42 88

EGYPT

ESAB Egypt
Dokki-Cairo
Tel: +20 2 390 96 69
Fax: +20 2 393 32 13

ROMANIA

ESAB Representative Office
Bucharest
Tel/Fax: +40 1 322 36 74

RUSSIA-CIS

ESAB Representative Office
Moscow
Tel: +7 095 937 98 20
Fax: +7 095 937 95 80

ESAB Representative Office
St Petersburg
Tel: +7 812 325 43 62
Fax: +7 812 325 66 85

Distributors

For addresses and phone numbers to our distributors in other countries, please visit our home page

www.esab.com



ESAB Welding Equipment AB
SE-695 81 LAXÅ
SWEDEN
Phone +46 584 81 000
Fax +46 584 123 08

www.esab.com

